

## 5-6 months internship in CEA Grenoble, France

### Objectives:

- Review the compression-expansion refrigeration cycles, e.g. Future Circular Collider, ITER, JT-60;
- Model the stable conditions of various cryoplants;
- Perform the dynamic simulations of the transition phases (cold load change);

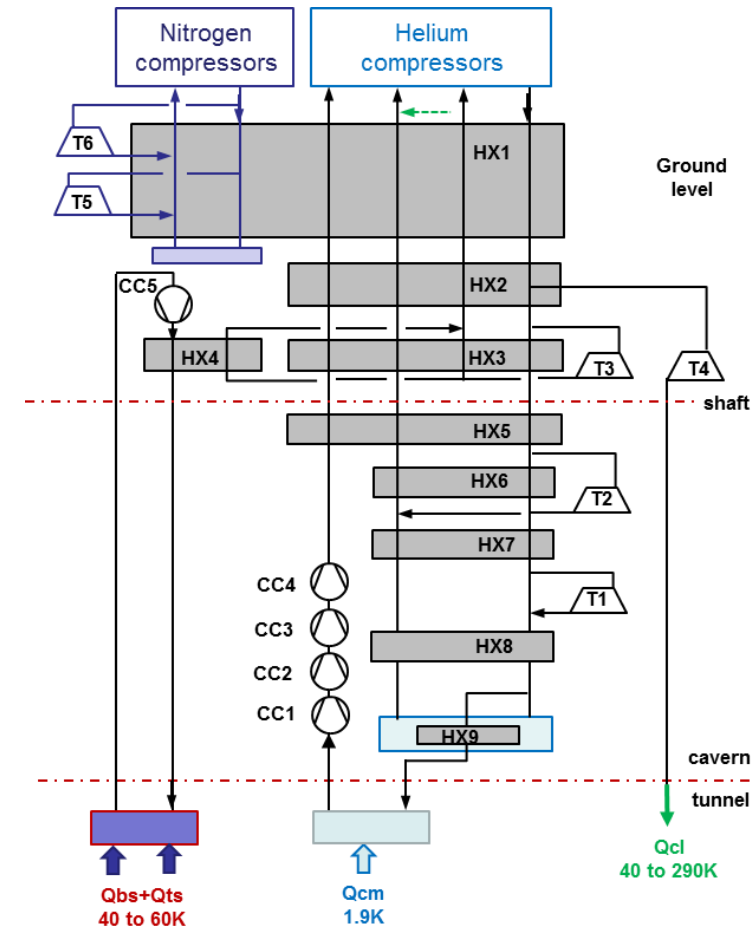
### Student's profile:

- Required: good background in thermodynamics, fluid dynamics, numerical calculation abilities (e.g. Matlab), very good English;
- Appreciated: previous engineering experiences (e.g. long term projects, scientific circles, internships), basic French.

Length: 5-6 months, starting from February/March 2019

Application deadline: mid-November 2018

contact: jakub.tkaczuk@cea.fr



**FCC cryoplant – 100kW@4.5K**

